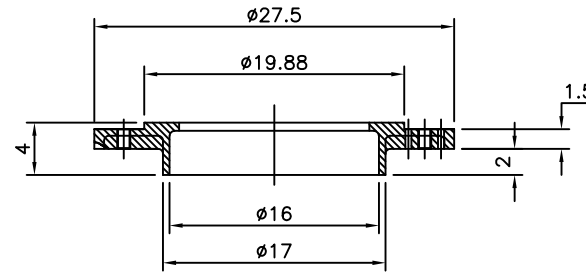
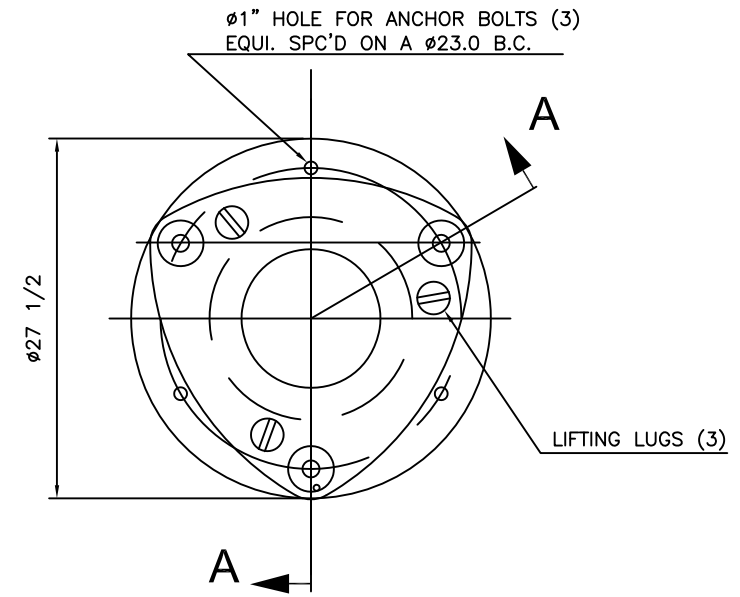
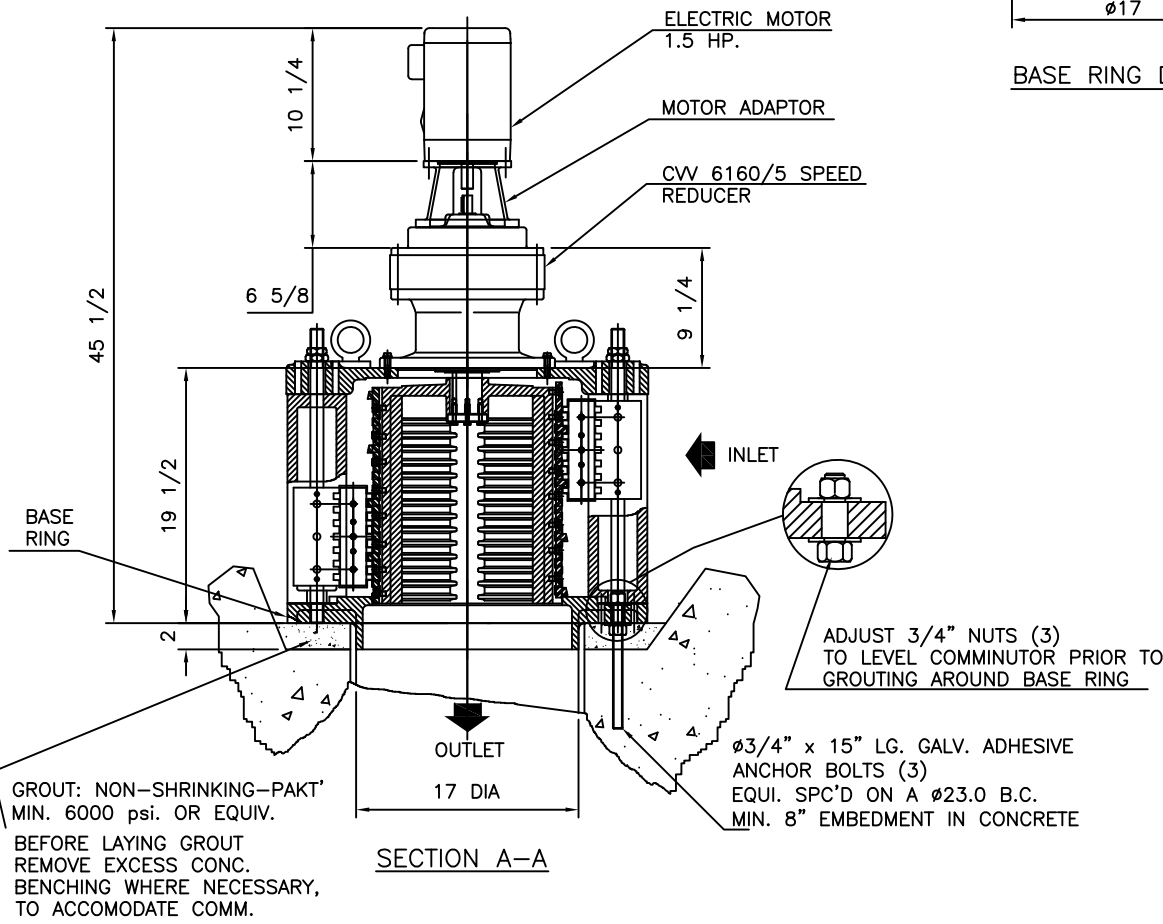


MODEL 16A STANDARD

SERIAL No. X



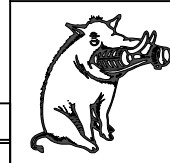
BASE RING DETAIL



TOP VIEW OF COMMINUTOR

MATERIALS OF CONSTRUCTION & GENERAL ENGINEERING DATA

HOUSING:	GREY IRON	CAPACITY:	3.5 MGD (US) / 13200 m ³ /day	INLET AREA:	202 SQ IN 1303 cm sq
DRUM (SCREEN):	DUCTILE IRON (ASTM 536 GRADE 60-45-18)	DRUM SPEED:	30RPM	OUTLET AREA:	121 SQIN 780.6 cm sq
SHEAR BARS:	AISI-A 2 HIGH ALLOY TOOL STEEL	ROTATION:	CLOCKWISE	DRUM DIAMETER:	14.5 IN 36.8 cm
CUTTING BARS:	AISI- 01 TOOL STEEL REVERSIBLE	SLOT WIDTH:	.470 IN / 12 mm	WEIGHT:	750 LBS 340 kg
HARDWARE & FASTENERS:	304 STAINLESS STEEL	NO. OF SLOTS:	56		
MOTOR MANUFACTURER:	-	POWER:	-	RPM:	1750
STYLE:	TEFC	HP:	1.5	KW:	1.12
		FRAME:	145 TC	FLANGE:	"C"
				RATIO:	59:1
				REDUCER:	SM-CYCLO
				MODEL:	V6160
				RATING:	7.72 HP

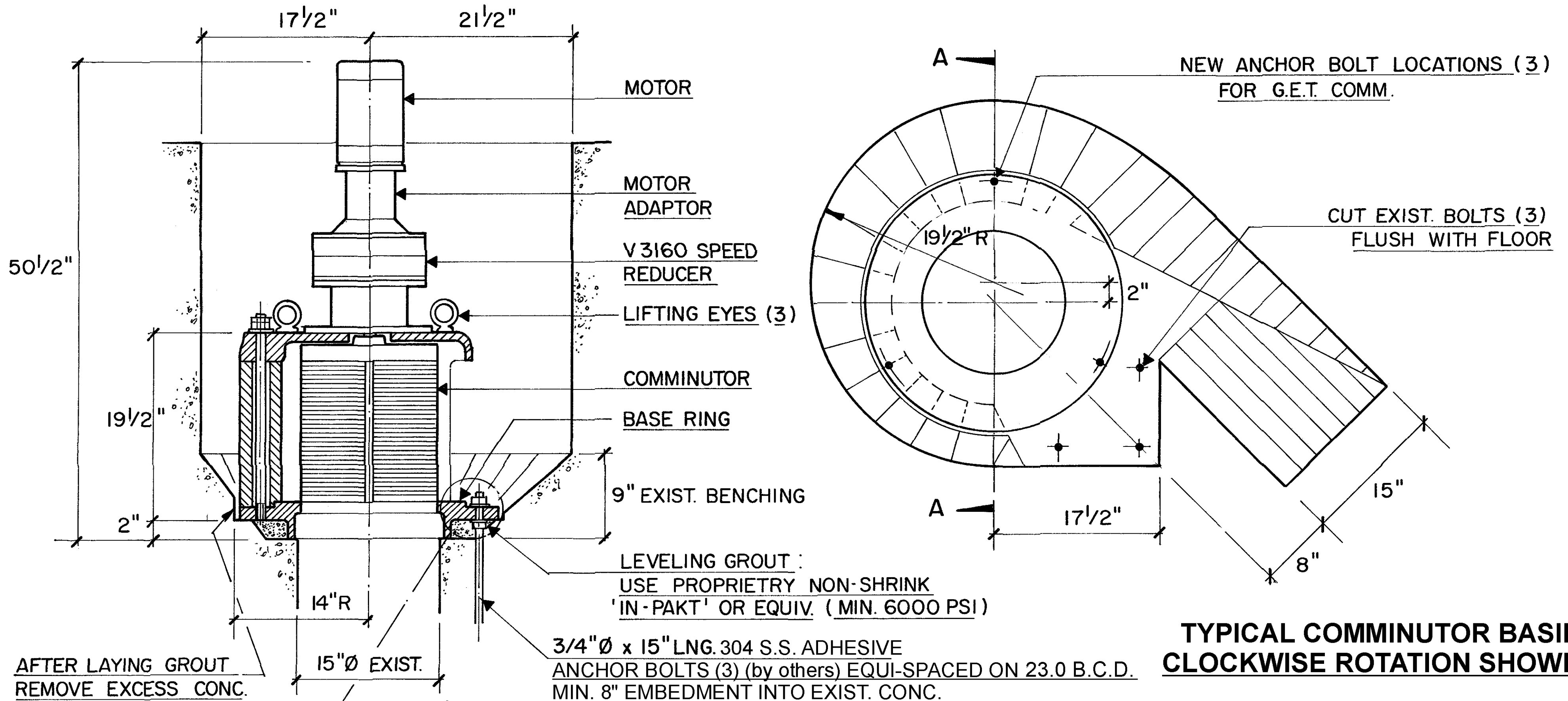


G.E.T. INDUSTRIES INC.
 get@grindhog.com
 www.grindhog.com
 1 (877) 213-7418

TOLERANCES	DIMENSIONAL DETAIL	SCALE	
DECIMAL		NTS	
FRACTIONAL		DRAWN BY G.P.	
ANGULAR		APPROVED BY W.D.M.	
DATE	FILE NO.	DWG NO.	REVISION
MAR. 2012	-	6 0200	

Grind Hog MODEL 16A (CAPACITY: 3.5 USMGD)

REPLACEMENT OF CHICAGO PUMP MODEL 15C

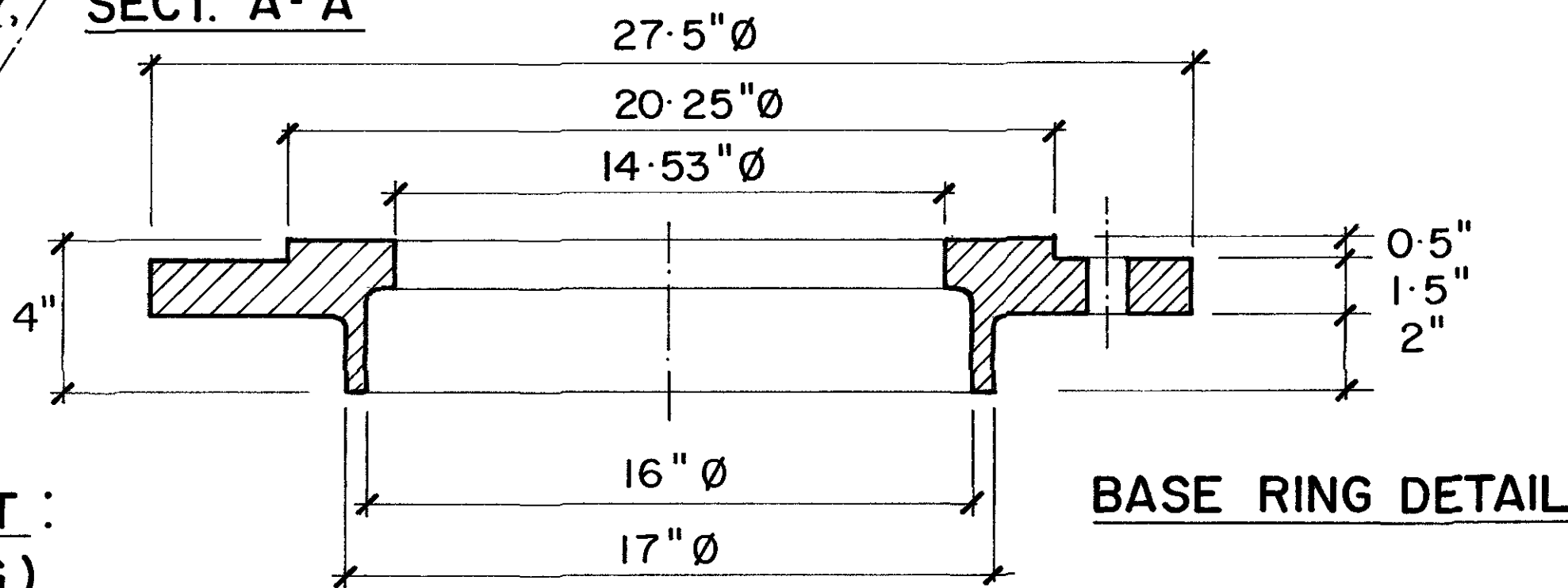


AFTER LAYING GROUT
REMOVE EXCESS CONC.
BENCHING, WHERE NECESSARY,
TO ACCOMODATE COMM.

SECT. A - A

ADJUST 3/4" NUTS
(3) TO LEVEL COMM-
MINUTOR PRIOR TO
GROUTING AROUND BASE RING

COMMINUTOR WEIGHT :
800 LB (363 KG)



TYPICAL COMMINUTOR BASIN
CLOCKWISE ROTATION SHOWN

REVISIONS		BY	DATE	APP.
 G.E.T. INDUSTRIES INC. (877) 213-7418 www.grindhog.com				
TOLERANCES				SCALE
± DECIMAL				DRAWN BY
± FRACTIONAL				APPROVED BY
± ANGULAR				
DATE	PROJECT NO.	DRAWING NO.	REV.	
		9 0031		



RETROFITTING CHICAGO PUMP COMMINUTORS



All models... All installation arrangements



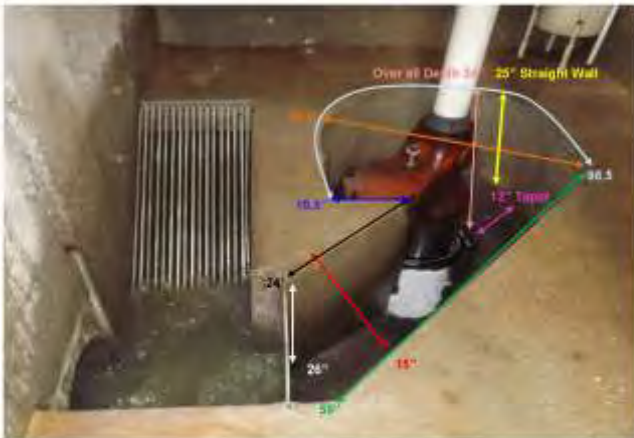


CHICAGO PUMP COMMINUTOR Retrofit Questionnaire



- Model of existing unit
- Existing characteristics of power supply
- Drive arrangement - close coupled, support column - elevated drive
- Photos of current installation
- Desired capacity (gpm) of replacement unit
- Dimensional detail of structure.... (i.e. free discharge or controlled discharge)
- Details of existing Control Panel (if any)
- Distance of the high water mark above the basin floor





ORIGINAL CHICAGO PUMP 15C



G.E.T. INDUSTRIES INC.

Toll Free: (877) 213-7418
E-mail: get@grindhog.com ♦ Web: www.grindhog.com



Grind HogTM

RETROFIT



CHICAGO PUMP 15C
ORIGINAL GRINDER & BASIN



GRIND HOGTM 16ASX
IN NEW INFLUENT
STRUCTURE



G.E.T. INDUSTRIES INC.

Toll Free: 877-213-7418

Email: get@grindhog.com Web: www.grindhog.com